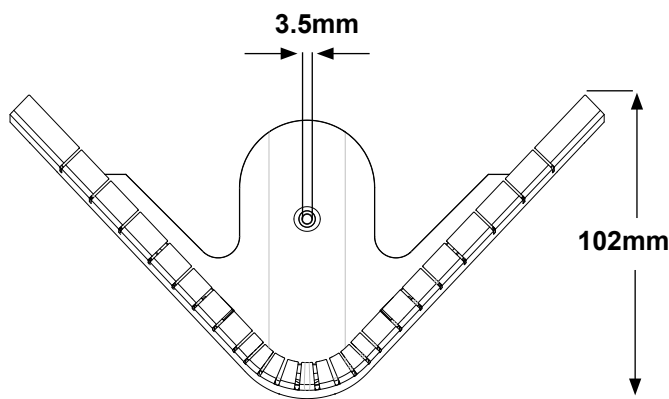
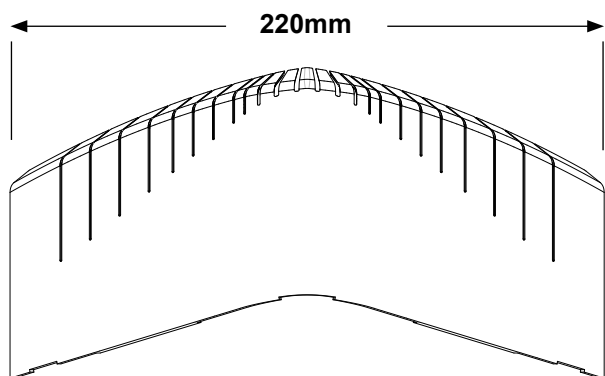


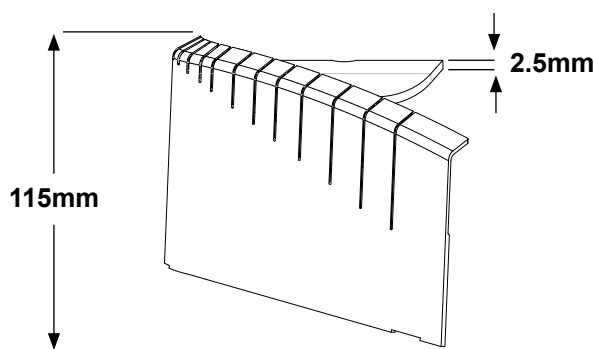
Hip End Closer

Code: **GDRH-HC**



Features

- Fits to all major angled or round standard hip tiles, no need for bespoke hip end tiles
- Removes the need for mortar when using dry fix roofing systems.
- Easy to fit into a standard hip tile.
- Lightweight & mechanically fixed.
- Available in black, terracotta, or brown.



Description

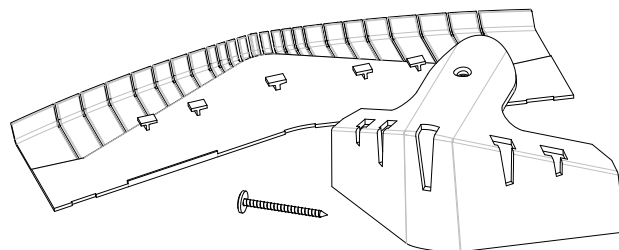
Part of the Manthorpe dry fix roofing range, the Hip End Closer is a cost effective dry fix alternative to mortaring in the end of a roll-out hip system, without resorting to expensive block end hip tiles.

The flexible front face allows the product to conform to any of the market leading hip tiles, providing a neat closing solution to the end of the hip roof without having to mix up a small amount of mortar for an otherwise completely dry fix system.

Part Weight	0.09 kg
Box Qty	10
Material	Polypropylene
Colours (front filler)	Black, Terracotta, Brown

References

BSI: BS 5534:2014 Code of Practice for Slating and Tiling



MANTHORPE BUILDING PRODUCTS LTD
MANTHORPE HOUSE
BRITAIN DRIVE
CODNOR GATE BUSINESS PARK
RIPLEY
DERBYSHIRE DE5 3ND

TEL: 01773 303 000
FAX: 01773 303 300
EMAIL: mbp.care@manthorpebp.co.uk
WEB: www.manthorpebp.co.uk

DRAWN	ISSUE DRAWN
J.B. 25/05/16	B.H. 13/04/26

The company maintains a policy of continuous development of its product range and reserves the right to amend the specification without notice.

DRG No

MBP 8314

Issue

04