

G950 / G951 Extended Peep Weep

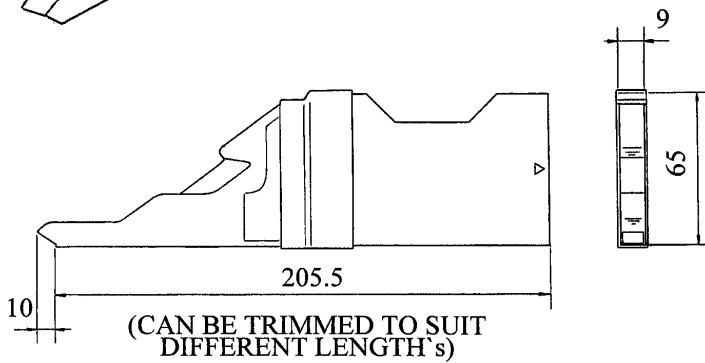
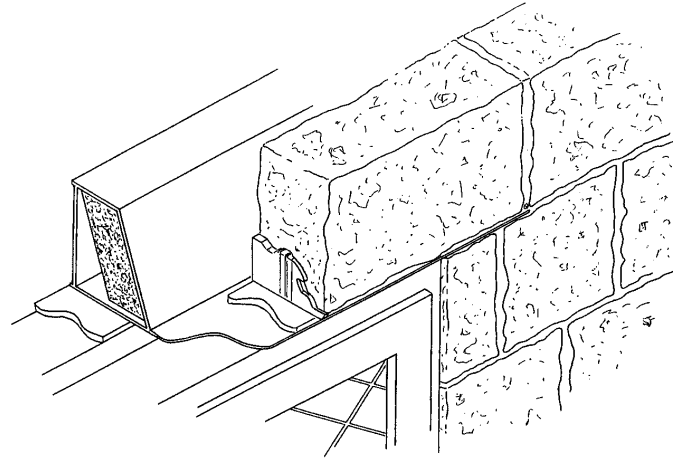
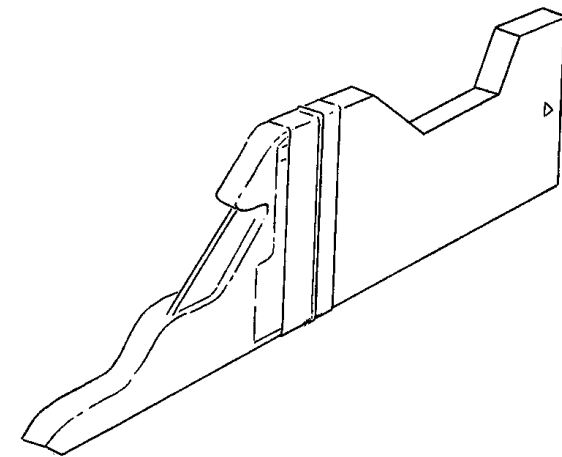
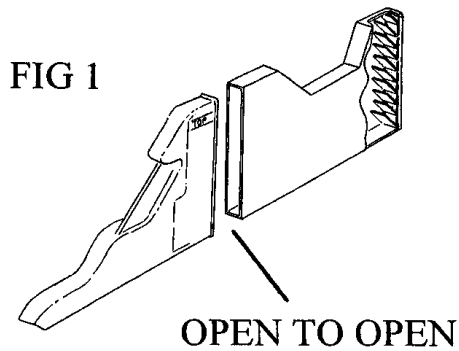


FIG 1



Description:

The G950 / G951 extended weep vent is for use in wider than 100mm mortar beds and can be made by placing one G950 Weep Vent in line with one G951 Peep Weep back to back to drain lintels, and horizontal cavity trays.

References:

| | |
|-------|---------------------|
| BRE: | DIGEST 262 |
| BRE: | Floors, Flooring |
| BSI: | BS5250 |
| BSI: | BS5628 |
| BSI: | BS8000 |
| NHBC: | Good Practice guide |
| NHBC: | Standards 6.1 |

Fitting Instructions:

The extended weep vent can be formed by placing one G950 Weep Vent and a G951 Peep Weep together open end to open end and sealing the joint with sealing tape, the drip lip of the G950 Weep Vent should also be removed (figure 1).

Note the G950; G951 can be cut down from the open ends if required to suit different bed sizes.

The Extended weep vent should then simply be fitted in open perp joints and mortared in position leaving approximately 10mm protruding from the brick face of the G951 Peep Weep and spaced at no greater than 900mm centres but to meet N.H.B.C guidelines "weep holes are recommended to be sited at every 450mm maximum with at least two per opening above all windows and doors".

For more detailed information on the G950 Weep vent see product information sheet MBP 8056. And for G951 Peep weeps see product information sheet MBP 8057.

MANTHORPE BUILDING PRODUCTS LTD
 MANTHORPE HOUSE
 BRITAIN DRIVE
 CODNOR GATE BUSINESS PARK
 RIPLEY
 DERBYSHIRE DE5 3ND

TEL: 01773 303 000
 FAX: 01773 303 300
 EMAIL: mbp.care@manthorpebp.co.uk
 WEB: www.manthorpebp.co.uk

DRN M.L.W.O

Date 24.06.19

DRG No

Issue

The company maintains a policy of continuous development of its product range and reserves the right to amend the specification without notice.

MBP 8143

B