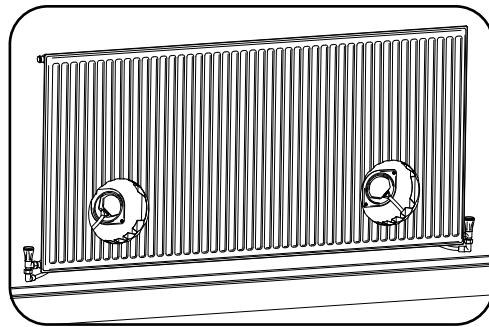


**5.** Replace the pipe seal flush against the plasterboard and secure into place using suitable screws.

(Note: On uneven or textured walls, a mastic or decorator's caulk should be used around the perimeter to ensure an air tight seal)



**6.** Fix the radiator to the wall and connect both pipes following the manufacturer's instructions.

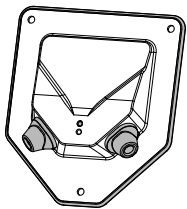
# Manthorpe

**GRS-SE**

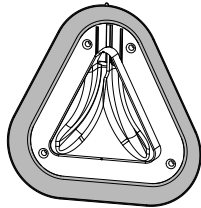
## Single Exit Radiator Pipe Guide & Seal

Fitting Guide

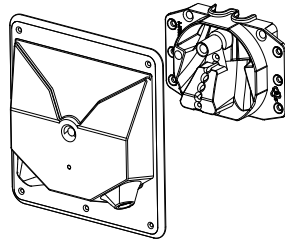
**Also available in the Manthorpe pipe seal range:**



Face-Fix Radiator  
Pipe Guide & Seal  
Code: *GRS-FF*



Radiator Pipe  
Guide & Seal  
Code: *GRS*



Twin Plate Radiator  
Pipe Guide & Seal  
Code: *GRS-DUO*

Manufactured in the U.K.

Other products from the Manthorpe Range include Cavity Trays, Cavity Closer, Loft Doors, Linear Drainage, Access Panels, Roof Ventilation, Through Wall & Underfloor Ventilation, Joist Seals and Dry Roofing Products.



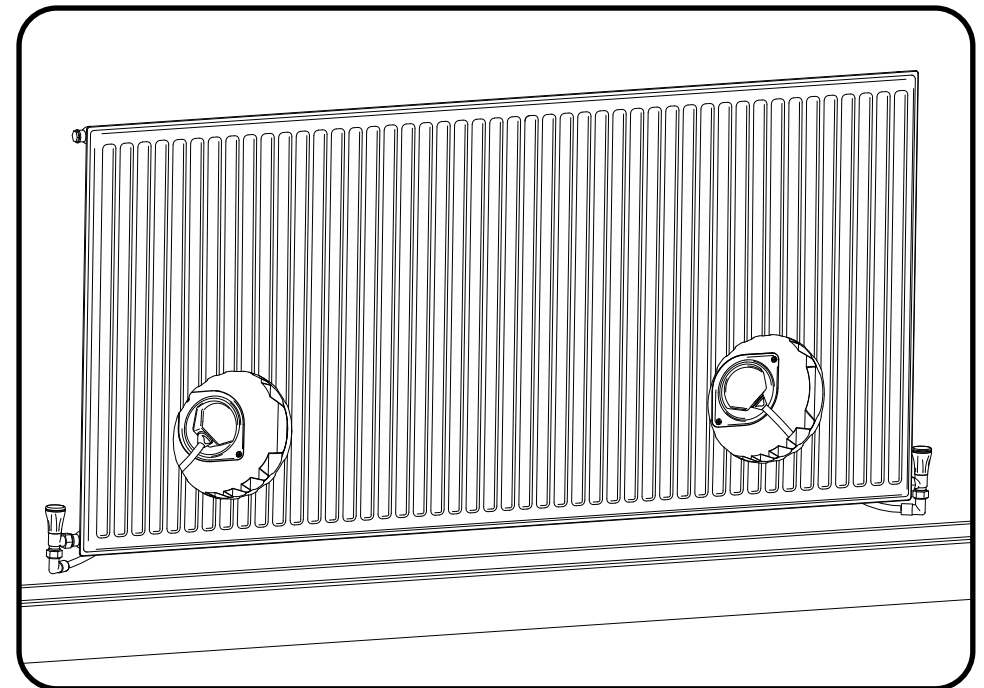
### Manthorpe Building Products Limited

Manthorpe House, Brittain Drive, Codnor Gate Business Park, Ripley, Derbyshire DE5 3ND

T: (01773) 303 000 F: (01773) 303 300 E: [mbp.care@manthorpebp.co.uk](mailto:mbp.care@manthorpebp.co.uk)

W: <http://www.manthorpebp.co.uk>

MBP\_GU\_0779\_06

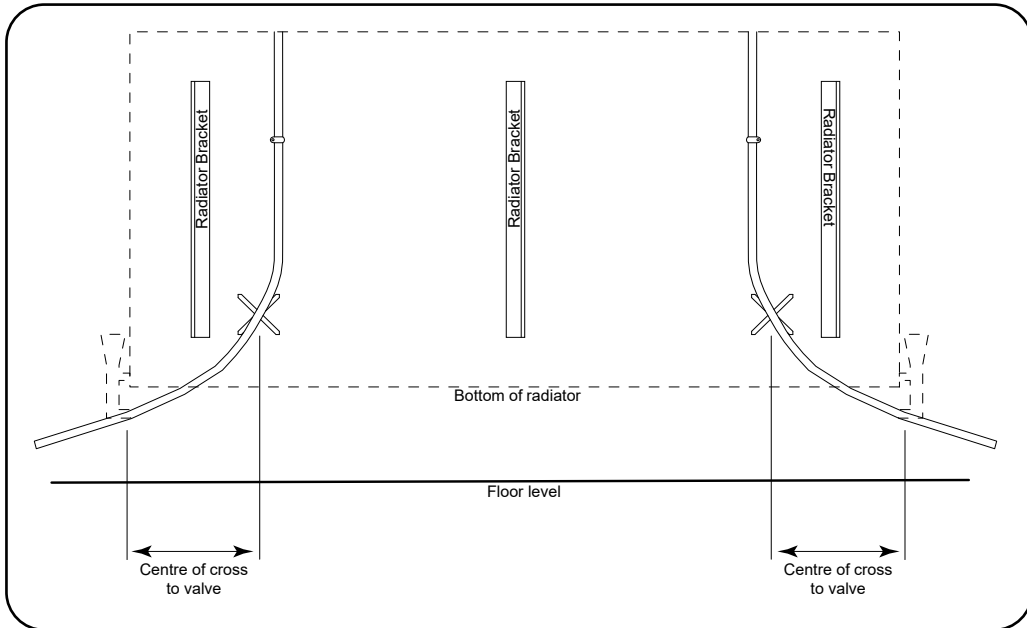


(Suitable for 10mm plastic pipe only)

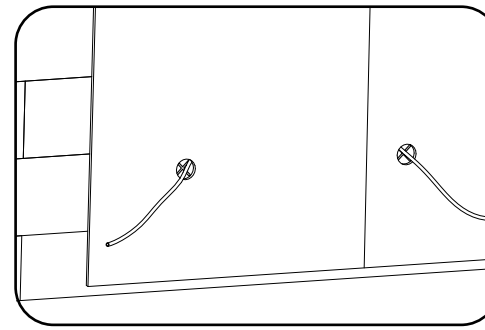
# Description

The Single Exit Radiator Pipe Guide & Seal has been developed to reduce air leakage behind radiators at the point where the heating pipes penetrate the wall and it is not practical to use the double exit Face-Fix Radiator Pipe Guide & Seal (GRS-FF). It is particularly suited to situations where a larger radiator is being used which has a third mounting bracket running down the centre of the radiator and where the distance from the centre of the radiator to the valves is large enough to cause excessive pipe sag which could become visible below the bottom of the radiator. Due to the face-fix nature of the product, it is also well suited to studded wall details. The product should be placed close to the radiator valves in a position which avoids conflict with the outer two radiator brackets and provides an uninterrupted route between the pipe and the valve.

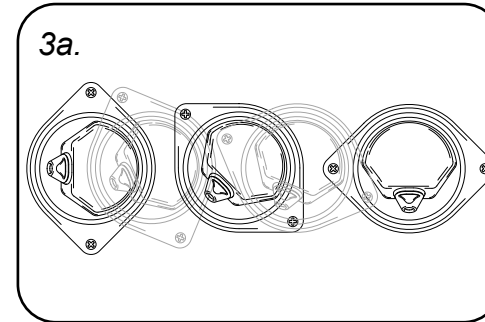
# Installation



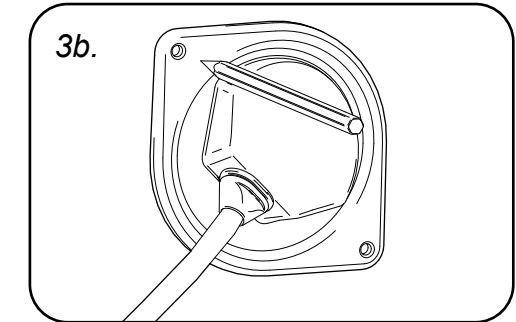
**1.** Run the pipes and secure to the wall. Mark a cross on the wall at each of the points where the pipes will exit through the dry-line board. Allow enough excess to ensure that the pipes will meet the radiator valves. (*The pipes can be left in a loop at this point to pressure test the system, but must be cut before dry-lining*)



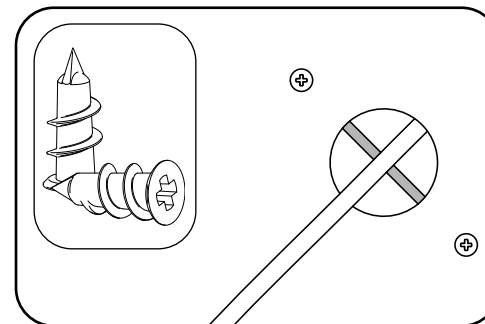
**2.** When dry-lining, cut 2, 60mm diameter circular holes using the centre of each of the crosses as the centre point for the holes (for best results, use a 60mm hole-saw). Pull each length of pipe through each hole and plaster as normal, being careful not to plaster over the holes.



**3a.** The product can be orientated in any direction required.



**3b.** Thread the pipes through the grommet in each of the radiator pipe seals. Push each product flush with the plastered wall, centralise the product around the hole and direct it towards the valve. Mark the centres of each of the holes.



**4.** Pull the radiator pipe seal away from the wall and screw a self-drive plug into the plasterboard at each of the points previously marked. **Warning:** Take care not to pierce any pipes or wiring behind the dry-lining when driving the self-drive plugs.